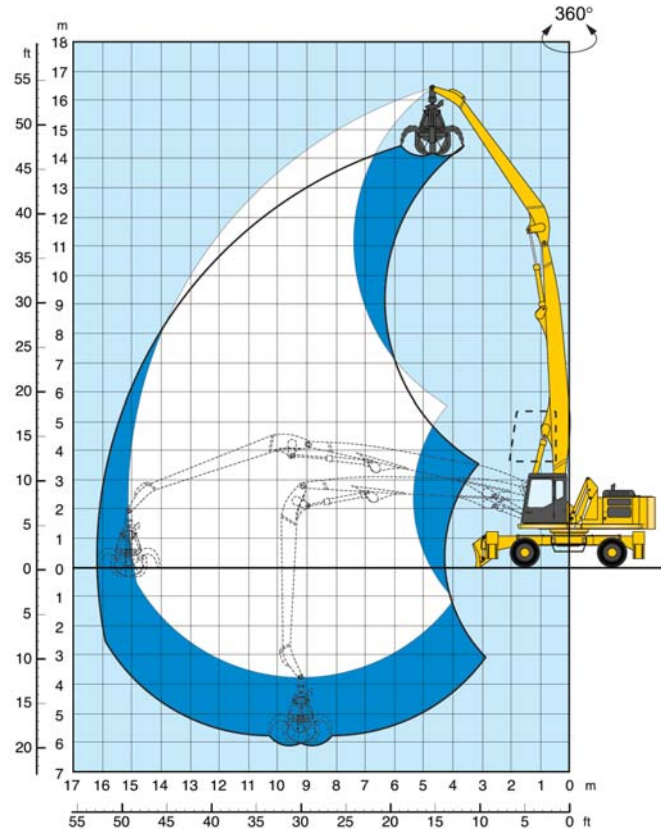
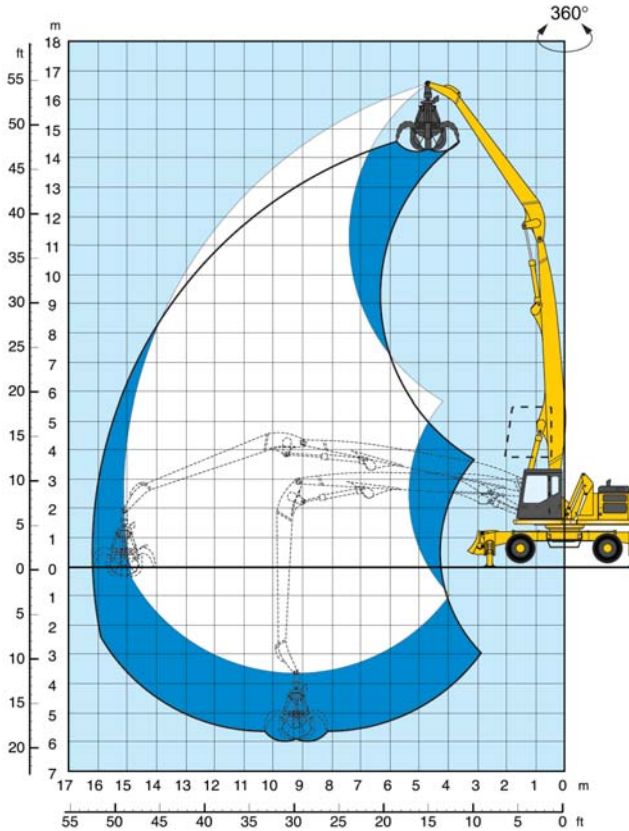


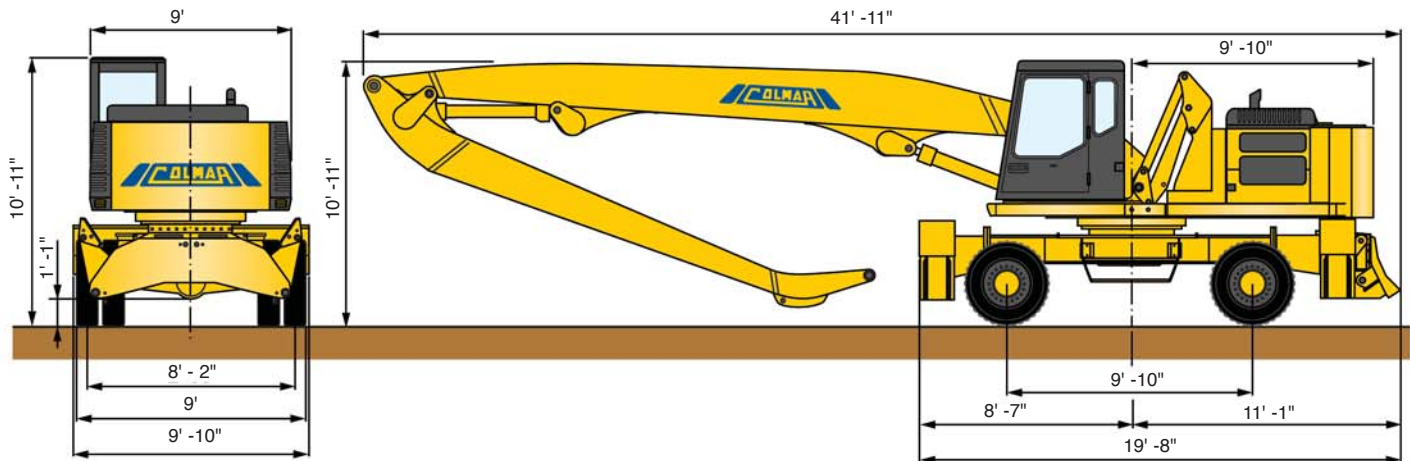
Lifting capacities



HEIGHT (ft / m)	OPERATING RANGE (ft / m)						
	17.4' 5.3	19.7' 6	26.2' 8	32.8' 10	39.3' 12	45.9' 14	49.2' 15
45.9' (14)	-	-	16434 (7470)	-	-	-	-
39.3' (12)	-	-	15884 (7220)	15246 (6930)	-	-	-
32.8' (10)	-	-	13112 (5960)	12804 (5820)	13266 (6030)	-	-
26.2' (8)	-	-	13948 (6340)	13266 (6030)	11528 (5240)	-	-
19.7' (6)	-	18942 (8610)	15554 (7070)	14212 (6460)	11990 (5450)	-	-
13.1' (4)	-	23342 (10610)	17732 (8060)	15466 (7030)	11968 (5440)	9262 (4210)	-
6.5' (2)	32318 (14690)	27720 (12600)	19954 (9070)	15928 (7240)	11528 (5240)	9020 (4100)	8052 (3660)
0	-	30404 (13820)	21230 (9650)	15290 (6950)	11154 (5070)	8822 (4010)	-
-6.5' (-2)	-	30866 (14030)	20636 (9380)	14872 (6760)	10912 (4960)	8734 (3970)	-

HEIGHT (ft / m)	OPERATING RANGE (ft / m)						
	17.4' 5.3	19.7' 6	26.2' 8	32.8' 10	39.3' 12	45.9' 14	49.2' 15
45.9' (14)	-	-	16434 (7470)	-	-	-	-
39.3' (12)	-	-	15884 (7220)	13200 (6000)	-	-	-
32.8' (10)	-	-	13112 (5960)	10758 (4890)	9680 (4400)	-	-
26.2' (8)	-	-	13948 (6340)	10428 (4740)	7392 (3360)	-	-
19.7' (6)	-	18942 (8610)	14322 (6150)	9812 (4460)	7062 (3210)	-	-
13.1' (4)	-	19957 (9070)	12958 (5890)	9042 (4110)	6600 (3000)	4840 (2200)	-
6.5' (2)	20394 (9270)	17270 (7850)	11572 (5260)	8250 (3750)	6138 (2790)	4576 (2080)	3960 (1800)
0	-	15554 (7070)	10516 (4780)	7590 (3450)	5720 (2600)	4356 (1980)	-
-6.5' (-2)	-	14806 (6730)	9878 (4490)	7150 (3250)	5456 (2480)	4246 (1930)	-

The lifting capacities with rotation 360° are expressed in lb (and daN) without a safety factor.



Technical characteristics

Codice: 605 - 02 - 04

ENGINE

Type4-stroke diesel, direct injection,
turbo-charged and after-cooled
Number of cylinders.....6
Max power238 HP (175 kW) at 2400 rpm
Displacement6 l (366.12 in³)
Coolingliquid
Air filterdry
Sound insulated engine compartment.
Engine assembled on vibration-dampers.

ELECTRIC SYSTEM

Operating voltage..... 24 V
Alternator..... 40 A / 24 V
Batteries 2 x 110 Ah / 12 V

HYDRAULIC SYSTEM

LFSS (Logic Flow Summation System) hydraulic system consisting of:
N.1 axial piston pump for lifting, bucket and traction.
N.1 axial piston pump for arm and rotation.
N.1 axial-piston pump for turret rotation.
Constant power control.
Max rated flow..... 56.49 + 56.49 + 42.24 gal/min
En-bloc distributor with automatic fluid flow rate summing devices.
N.1 gear pump for auxiliary services and power steering.
N.1 gear pump for servo controls.
Max working pressure..... 4350 psi
Ergonomic control devices with integrated auxiliary function buttons.

Cylinders

Lifting: n.2 cylinders Ø 5.90" x 47.24"
Arm: n.2 cylinders..... Ø 5.51" x 41.34"
End-of-stroke deceleration device.
Circuit with multi-spiral hoses, very high pressure steel pipes, ORFS face seal fittings, steel safety valves.
Hydraulic oil cooling by air-oil heat exchanger combined with diesel engine radiator.

TURRET ROTATION

Rotation by means of axial piston hydraulic motor coupled to two stage epicyclic reduction gear with pinion operating on internally toothed slewing ring.
Braking valve assembly integral with hydraulic motor.
Slew ring with double row of bearings..... Ø 52.75"
Rotation speed..... 0 - 8 rpm

TIRES

Twinned front and back wheels with super elastic solid beads, size 12.00 - 20.

STEERING

Controlled from the cab with gear pump driven power steering.

TRANSMISSION

4-wheel drive with hydrostatic transmission with self adjusting variable displacement axial piston hydraulic motor.
2-speed gear box selectable from the cab.
Axles with epicyclic reduction gear on the hubs.
Swinging front axle with hydraulic lock.
Ground speed in 1st gear..... 0 - 3.1 mph
Ground speed in 2nd gear..... 0 - 7.44 mph

DRIVE CAB

All round visibility hydraulic elevation sound insulated cab with front window retractable into roof.
Adjustable seat with servo controls integrated into armrests.
Digital dash board complete with following indicators: engine oil pressure, engine water temperature, fuel level tachometer, revolution counter, hour counter and clock.
Alarm and regular working indicators.
Push button panel for cab elevation, speed selection, parking brake, lights, fan, windscreen wiper, window washer.

FUEL AND OIL CAPACITIES

Fuel tank capacity..... 81.84 gal
Cooling liquid..... 6.6 gal
Diesel engine oil..... 7.65 gal
Hydraulic oil tank capacity..... 105.6 gal

WEIGHTS (APPROXIMATE)

Weight..... 81400 lb